



Radon Mitigation Fans

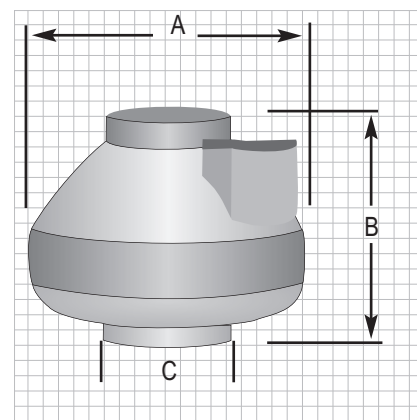
All RadonAway fans are specifically designed for radon mitigation. RP Series Fans provide superb performance, run ultra-quiet and are attractive. They are ideal for most sub-slab radon mitigation systems.

Features:

- ◆ Five-year hassle-free warranty
- ◆ Quiet and attractive
- ◆ Thermally protected
- ◆ Motorized impeller
- ◆ ETL Listed - for indoor or outdoor use
- ◆ Meets all electrical code requirements
- ◆ Rated for commercial and residential use

Model	Watts	Max. Pressure "WC	Typical CFM vs. Static Pressure WC							
			0"	.5"	1.0"	1.5"	2.0"	A"	B"	C"
RP140	14-20	0.8	134	68	-	-	-	9.7	7.9	4
RP145	37-71	2.1	173	132	94	55	11	9.7	7.9	4
RP260	52-72	1.8	275	180	105	20	-	11.8	9.9	6
RP265	86-140	2.5	327	260	207	139	57	11.8	9.9	6
RP380	103-156	2.3	510	393	268	165	35	13.41	10.53	8

Choice of model is dependent on building characteristics including sub-slab materials and should be made by a radon professional.



For Further Information Contact: