



Radon Mitigation Fan

All RadonAwayTM fans are specifically designed for radon mitigation. The SF180 fan provides superb performance, runs ultra-quiet and is a low-profile, attractive alternative to a traditional round radon fan.

Features

- 5 year hassle free warranty
- Stay-white (non-yellowing) exterior
- Built-in moisture/condensate management
- Seams sealed under negative pressure (to inhibit radon leakage)
- Interchangeable with other fan models (mountable on existing 3" or 4" pipes)
- Designed to conceal electrical disconnect
- Quiet operation (mounting method limits vibration transfer)

MODEL	FAN DUCT DIAMETER	WATTS	MAX.PRESSURE "WC	TYPICAL CFM vs. STATIC PRESSURE WC				
				0"	.5"	1.0"	1.5"	2.0"
SF180	3" or 4"*	53-71	1.7	149	127	96	61	-

*Exterior Switch Kit and PVC offset coupling sold separately, call for details.



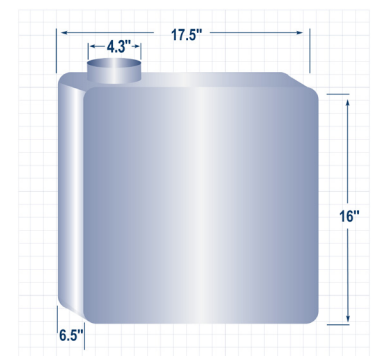
Made in USA with US and imported parts



ETL Listed



All RadonAway inline radon fans are covered by our 5-year, hassle-free warranty



For Further Information Contact

Why Choose the SF180?

Attractive

With its stay-white exterior housing, concealed electrical disconnect, and rectangular, low profile design - this fan looks natural on a house by blending in with electrical and utility boxes.

Quiet Operation

The unique mounting method of the SF180 inhibits vibration against the home, and the fan motor is virtually noise free.



Engineered for Reliability

With a water-hardened motor and built-in moisture/condensate management this fan can withstand the elements. It also has seams that have been sealed under negative pressure to inhibit radon leakage.

Easy Installation

The SF180 is easy to install, interchangeable with other fan models and mountable on existing pipes. It has a 4" inlet/outlet for connection to 4" PVC pipe, but with our exclusive offset coupling it can adapt to 3" pipe as well.

These features, along with other advanced technology, make the SF180 ideal for the radon mitigator and leave the homeowner feeling at ease.

RadonAway's SF180 joins the best features of our effective, reliable radon mitigation fans with new, advanced technology and engineering in a rectangular fan package.

The SF180 was designed and engineered to meet the expressed needs of both the radon professional and the homeowner. Whether it is the unique way in which we redirect condensation away from the motor, or the way we designed the intake and exhaust to allow the fan to be pipe-mounted and interchangeable, this fan revolutionizes the external radon fan.



www.RadonAway.com
800-767-3703