



Radon Mitigation Fans

All RadonAway fans are specifically designed for radon mitigation. XP/XR Series Fans provide superb performance, run ultra-quiet and are attractive. They are ideal for most sub-slab radon mitigation systems.

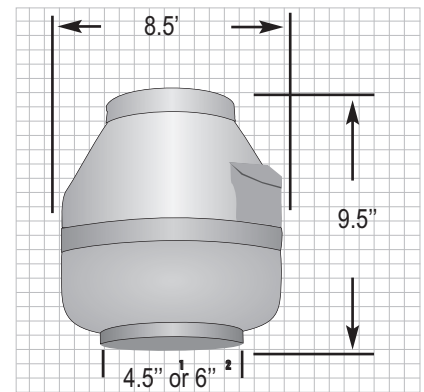
Features:

- ◆ Five-year hassle-free warranty
- ◆ Quiet and attractive
- ◆ Thermally protected
- ◆ ETL Listed - for indoor or outdoor use
- ◆ Meets all electrical code requirements
- ◆ Rated for commercial and residential use



Model	Watts	Max. Pressure "WC	Typical CFM vs. Static Pressure "WC			
			0"	.5"	1.0"	1.5"
XP151	45-60	1.6	180	140	80	10
XP201	45-66	1.9	150	110	74	38
XR261	65-105	1.8	250	185	115	50

Choice of model is dependent on building characteristics including sub-slab materials and should be made by a radon professional.



1 - XP151, XP201
2 - XR261



For Further Information Contact: