

# AIR FLOW ALARM

## RADON SYSTEM OPERATION MONITOR

RadonAway's battery-powered air flow alarm (P/N 28421) monitors radon system operation. It mounts directly onto the system pipe to alert users of a low or no air flow condition. A thin, field-trimmable vane installed within the pipe operates in air flow as low as 10 CFM in a 3" pipe and 15 CFM in a 4" pipe. An audible buzzer alternates with bright, flashing red LED light when there is no air flow in the pipe.

**This monitor does not measure radon levels.**



## FEATURES

- Easy Installation (indoor use only)
- For use on 3" or 4" pipe
- Battery-Operated
- Visual Alarm (Red LED light)
- Audible Alarm
- Low Battery Warning

## PACKAGE INCLUDES

- RadonAway Air Flow Alarm
- Battery
- Trimmable Vane
- Installation Instructions
- Alarm Information Sticker

## SPECIFICATIONS

**Actuation Point:** 15 CFM (4" Pipe) / 10 CFM (3" Pipe) on decrease in flow

**Audible Alarm:** At least 85 dB @ 1' distance

**Visual Alarms:** Red LED for no flow alarm; Yellow LED for low battery

**Wetted Materials:** ABS, Polycarbonate, Rare Earth Magnet

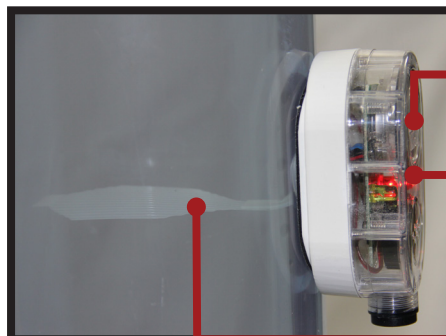
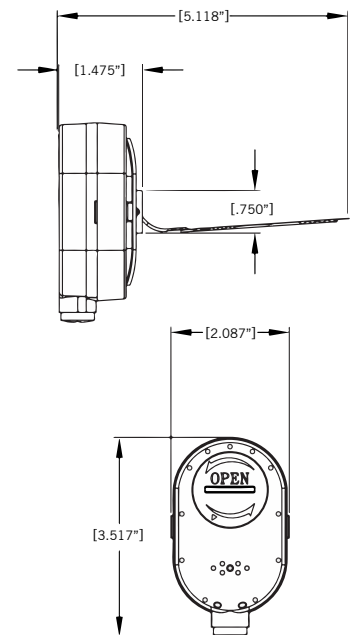
**Power Requirements:** Lithium battery (CR2450)

**Battery Life:** 5 years steady state / 48 hours during alarm condition

**Temperature Limits:** 32 to 122°F (0 to 50°C)

**Application Limits:** Corrosive environments

**Weight:** 4 oz (113.4 g)



**BATTERY**

**ALARM**

**VANE**