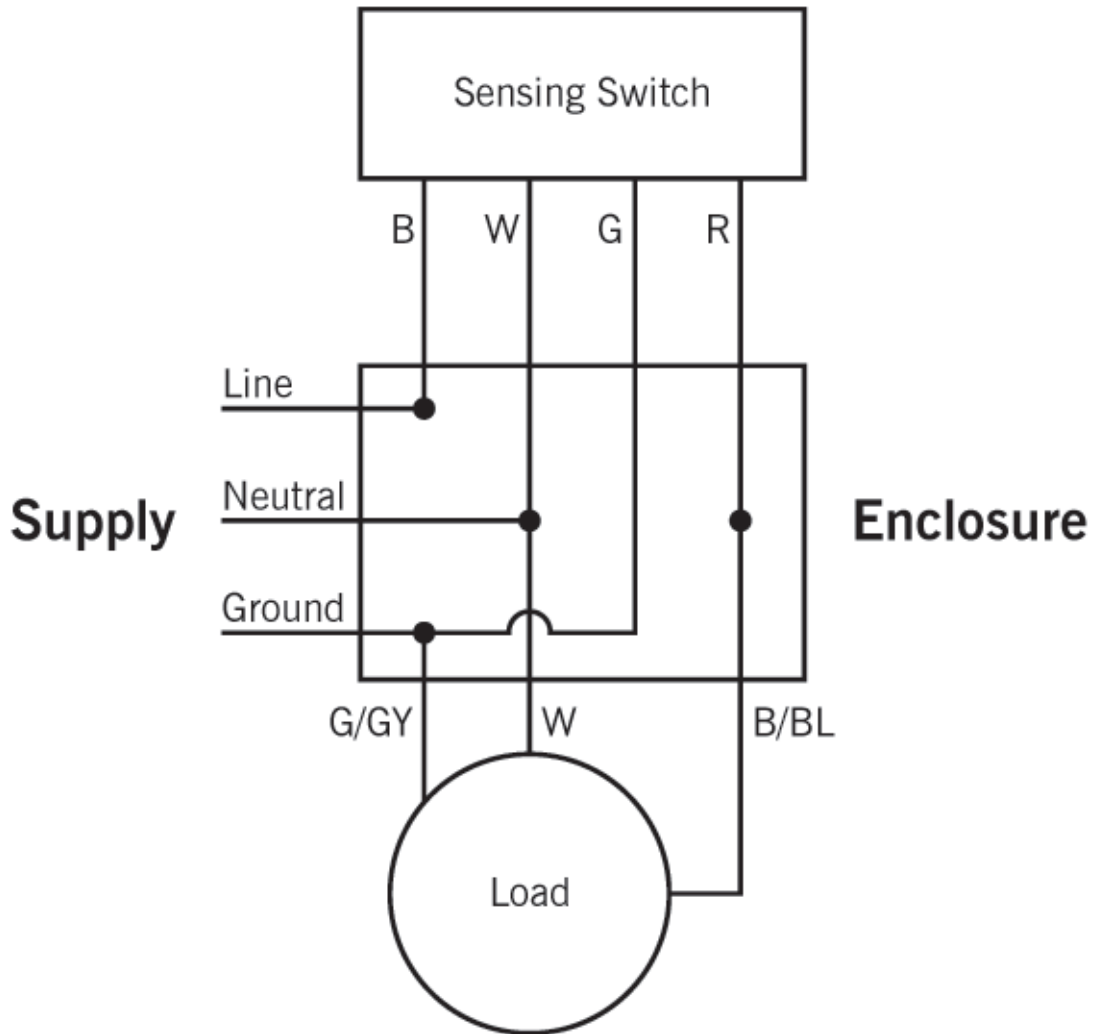




Wiring Schematic, for P/N 28263 Sensing Switch w/ Recycling Delay timer.



- B -BLACK
- B/BL -BLACK/BLUE
- G -GREEN
- G/GY -GREEN/GREEN YELLOW
- R -RED
- W -WHITE