

AprilAire®

Dehumidifier

SPECIFICATION SHEET

Model E070

Crawl Space Dehumidifier

FEATURES

- Built-in automatic digital control with display. Can be set up for dehumidification and ventilation or zoning.
- Front mount control
- ½" EPS cabinet insulation
- Air discharge orientation at end of cabinet
- Washable MERV 8 filter (part number 5695) and 8" diameter inlet/outlet duct collars
- R410A refrigerant
- Corrosion-resistant aluminum coils
- 8' power cord (plug type); hardwire option not available
- 10°F–30°F discharge air temperature rise
- ¾" MNPT Threaded drain connection with adapters for threaded connection for plastic hose included
- 10' drain tubing
- 5-year warranty



Designed & Assembled in the USA
utilizing U.S. and Global Components



SPECIFICATIONS		
Capacity	@ 80°F/60% RH @73°F/60% RH	70 ppd 53 ppd
Energy Factor kW-h	@ 80°F/60% RH @ 73°F/60% RH	2.1 L/kW-h 1.8 L/KW-h
Airflow @ varying E.S.P. <small>(external static pressure - dry coil)</small>	0.0" w.c. 0.2" w.c. 0.4" w.c.	200 CFM 170 CFM 140 CFM
Voltage, phase, frequency	120VAC, 1 phase, 60 Hz	
Current draw⁽³⁾	5.8 Amps	
Noise	53 dBA ducted	
Dimensions (cabinet only)⁽⁴⁾	Width: 12½", Height: 12½", Length: 25"	
Unit Weight	56 lbs.	
Shipping Weight	72 lbs.	
Inlet air operating conditions during	Dehumidification:	50°F–104°F, 40°F dew point min.
	Ventilation:	40°F–140°F, 0%–99% RH (non-condensing)

PRINCIPLE OF OPERATION

The AprilAire E070 Crawl Space Dehumidifier is designed to dehumidify the air coming into the unit by passing the incoming air over an evaporator coil to drop the air temperature below the dew point of the air. Moisture is removed from the air and drained out of the unit to a common floor or waste drain. The air is then reheated in the condenser coil and exits the unit.

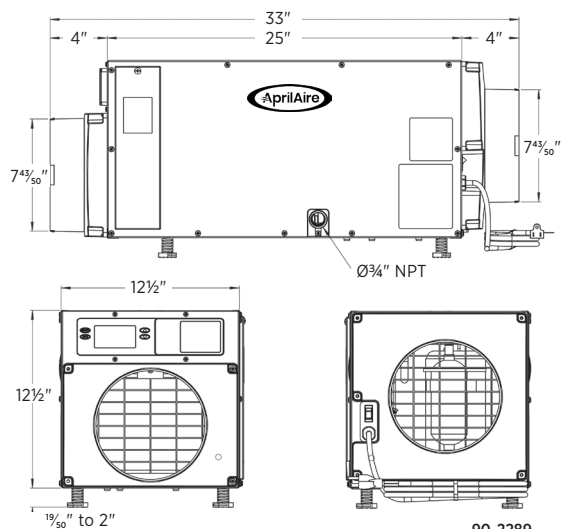
Dehumidification occurs until the set point is reached, then shuts off until periodic sampling determines a need for operation.

APPLICATION

The E070 Dehumidifier is the perfect solution for controlling humidity in crawl spaces; protecting against structural damage, pests and mold.

CIRCULATION

The E070 can also be programmed to circulate the air within a crawl space. Circulating the air evens out relative humidity levels and temperature in the space, eliminating variations in the environment.

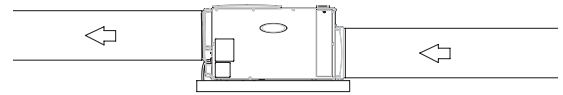


⁽³⁾Rated capacity, energy factor and current draw measured at 80°F/60% RH inlet air at 0.0 ESP.
⁽⁴⁾Height does not include adjustable feet. The width excludes the filter doors and length excludes the duct collars.

INSTALL APPLICATION

Inlet and Outlet ducted

- Ducted with 8" flex duct or hard pipe.
- Helps circulate air to equalize humidity and temperature in the space.
- Can be used with the Model 5822 Hanging Kit for installations that require the unit to be off the floor.



OPTIONAL ACCESSORIES



Model 5822 Hanging Kit

- Weight: 3 lbs.
- Supports up to 200 lbs.



Model 4856 Condensate Pump

- 22 ft. lift
- Low profile
- 120 V



Model 5427 Crawl Space Alert

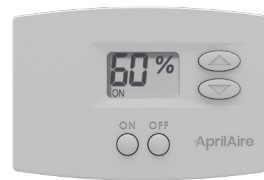
- 40' cable with LED
- LED illuminates when the dehumidification set point can't be reached or when service is required
- Provides customer peace of mind knowing the dehumidifier is functioning properly

OPTIONAL WALL-MOUNT CONTROLS



Model 8620/8620W with IAQ Control

- Universal 2H/2C or 4H/2C HP
- Event-Based™ Air Cleaning
- Humidity or Ventilation
- Touch screen
- Wi-Fi (8620W only)



Model 76 Wall Mount Dehumidifier Control

- On, Off buttons
- Wall-mounted living space control
- Displays RH and controls to an RH value
- Remote control for crawl space applications and sealed attics



Model 8910/8910W with IAQ Control

- Universal 3H/3C or 4H/2C HP
- Event-Based™ Air Cleaning
- Humidity and Ventilation
- 2-Part 3-Wire design
- Touch screen
- Wi-Fi (8910W only)



Model 8920W with IAQ Control

- Universal 3H/3C or 4H/2C HP
- Event-Based™ Air Cleaning
- Humidity and Ventilation
- 2-Part 3-Wire design
- Full-color touch screen
- Wi-Fi

MODEL 76 SPECIFICATIONS

Electrical	External	Remote
Input voltage and current	Voltage: 24VAC +/-20% Current: 25mA (nominal), 50mA (max.) at 24VAC	Voltage: 35VDC (supplied by dehumidifier control board)
Output	Dry contact, normally open	Communication (RS485)
Control	External	Remote
Control range	40% 80% RH	1 (less dry)–7 (more dry) 65°F–40°F dew point
Accuracy	+/-5% RH	See dehumidifier specifications
Differential	3% RH	
Low limit	40°F dew point	50°F dry bulb, 40°F dew point min.
High limit	99°F dry bulb	105°F dry bulb